





Freedom Designs, Inc.

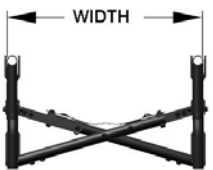
# Gizmo Tilt SE—Adult

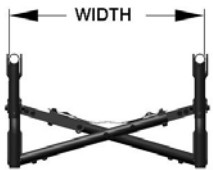
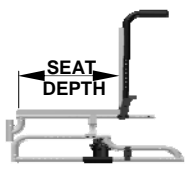
2241 N. Madera Rd. Simi Valley, CA 93065 Phone: (800) 331-8551 Fax (888) 582-1509 www.freedomdesigns.com

<b>Bill to:</b>	Date: _____ PO#: _____	<b>Ship to:</b>	Company: _____
	Company: _____		Address: _____
	Buyer: _____		City: _____ State: _____ Zip: _____
	Marked For: _____		Phone: _____

Description	Part No.	Retail	Description	Part No.	Retail
-------------	----------	--------	-------------	----------	--------

Frame Type			
<input type="radio"/> <b>Folding</b> (E1161)		AGZ-30270	<b>\$2482</b>
<input type="radio"/> <b>Rigid</b> (E1161)		AGZ-30276	<b>\$2482</b>
Transport Option			
<input type="radio"/> <b>Transport Package</b>		AGZ-99998	<b>\$150</b>
<small>Available with FDI WC-19 approved seating or on frame only.</small>			
<input type="radio"/> <b>No Transport Package</b>		AGZ-99999-1	<b>n/c</b>
Configuration Set-Up			
<input type="radio"/> <b>Standard—Rear Wheel Drive</b>		AGZ-STD	<b>n/c</b>
<input type="radio"/> <b>Reverse Configuration—Front Wheel Drive</b>		AGZ-REV	<b>n/c</b>
<input type="radio"/> <b>Tilt Cables Crossed</b>		AGZ-TCC	<b>n/c</b>
Frame Colors - Powder Coated			
<input type="radio"/> Black	<input type="radio"/> Pacific Blue		
<input type="radio"/> Blizzard Blue	<input type="radio"/> Passion Purple		
<input type="radio"/> Blue Blast	<input type="radio"/> Pink Parfait		
<input type="radio"/> Blue Stardust	<input type="radio"/> Really Red		
<input type="radio"/> Cosmic Purple	<input type="radio"/> Red Sunset		
<input type="radio"/> Extreme Green	<input type="radio"/> Sparkle Green		
<input type="radio"/> Mystic Teal	<input type="radio"/> Twilight		
<input type="radio"/> Octane Orange	<input type="radio"/> Yellow		

Frame Dimensions			
Standard Frame Width			
<u>Specify Size:</u>			
<input type="radio"/> 15" Wide		AGZ-30290	<b>n/c</b>
<input type="radio"/> 16" Wide		AGZ-30260	<b>n/c</b>
<input type="radio"/> 17" Wide		AGZ-30330	<b>n/c</b>
<input type="radio"/> 18" Wide		AGZ-30280	<b>n/c</b>

Custom Frame Width (E1298)			
<u>Specify Size</u>			
<input type="radio"/> 10" Wide		AGZ-30250	<b>\$150</b>
<input type="radio"/> 11" Wide		AGZ-30210	<b>\$150</b>
<input type="radio"/> 12" Wide		AGZ-30220	<b>\$150</b>
<input type="radio"/> 13" Wide		AGZ-30230	<b>\$150</b>
<input type="radio"/> 14" Wide		AGZ-30240	<b>\$150</b>
Frame Length			
<small>Frame length is based on finished depth of a Freedom Designs' solid seat and 1.5" thick back that is set between back canes.</small>			
<u>Specify Frame Length:</u>			
<input type="radio"/> <b>Regular: 15" - 18" Back Cane Depth</b>		AGZ-30555	<b>n/c</b>
Set Up Depths			
<input type="radio"/> 15" Deep		AGZ-30521	<b>n/c</b>
<input type="radio"/> 16" Deep		AGZ-30522	<b>n/c</b>
<input type="radio"/> 17" Deep		AGZ-30523	<b>n/c</b>
<input type="radio"/> 18" Deep		AGZ-30524	<b>n/c</b>
<input type="radio"/> <b>Long: 15" - 20" Back Cane Depth</b>		AGZ-30556	<b>n/c</b>
Set Up Depths			
<input type="radio"/> 15" Deep		AGZ-30521	<b>n/c</b>
<input type="radio"/> 16" Deep		AGZ-30522	<b>n/c</b>
<input type="radio"/> 17" Deep		AGZ-30523	<b>n/c</b>
<input type="radio"/> 18" Deep		AGZ-30524	<b>n/c</b>
<input type="radio"/> 19" Deep		AGZ-30527	<b>n/c</b>
<input type="radio"/> 20" Deep		AGZ-30528	<b>n/c</b>

Custom Frame Depths			
<input type="radio"/> <b>10" - 14" Back Cane Depth</b>		AGZ-30557	<b>\$150</b>
<small>(E1298)</small>			
Set Up Depths			
<input type="radio"/> 10" Deep		AGZ-30502	<b>n/c</b>
<input type="radio"/> 11" Deep		AGZ-30503	<b>n/c</b>
<input type="radio"/> 12" Deep		AGZ-30504	<b>n/c</b>
<input type="radio"/> 13" Deep		AGZ-30505	<b>n/c</b>
<input type="radio"/> 14" Deep		AGZ-30506	<b>n/c</b>



Date: \_\_\_\_\_ PO#: \_\_\_\_\_

Marked For: \_\_\_\_\_

Description	Part No.	Retail	Description	Part No.	Retail
-------------	----------	--------	-------------	----------	--------

**Back Canes / Push Handles/  
Hand Grip Bend Options**

- Traditional Bend Push Handles** AGZ-30518 n/c
- Ergo Bend Push Handles** AGZ-30519 n/c



Traditional Push Handle



Ergo Push Handle

Specify height from rear seat rail to top of bend on cane:

- Short - 19" High** AGZ-30515 n/c
- Medium - 22" High** AGZ-30514 n/c
- Tall - 25" High** AGZ-30516 n/c
- Stroller Push Handle Extension - Quick Release** AGZ-30517 **\$100**



- One Piece Stroller Push Handle Extension - Quick Release** AGZ-30526 **\$125**

- One Piece Push Button Angle Adjustable Stroller Handle** AGZ-30529 **\$255**

Available on chairs 12"W and up.  
Note: Chair will not fold with this stroller handle.

Back canes can achieve an additional height of 6.5" when Q.R. back post push handles are ordered.

**Swing Away Hangers**

- Omit Hangers & Footplates** AGZ-33000 **(\$30)**
- Spring Loaded Pop-Up** AGZ-30272 n/c
- Latch Style Swing Away** AGZ-30278 n/c  
Not available in reverse configuration.

Specify:

- 90 Degree Hangers** AGZ-33334 n/c
- 75 Degree Hangers** AGZ-33335 n/c



90° Pop-up Style Hanger



75° Latch Style Hanger

- Elevating Legrest (K0195) or (E0990)** AGZ-30279 **\$235**



**Footrest Options**



Angle Adjustable Flip Up Footplate



Removable Footboard

- Omit Footplates Only** AGZ-36404 **(\$15)**
- Composite Footplate - Flip Up** AGZ-17070 n/c
- Kids Footplate - Flip Up, (K0040) Angle Adjustable** AGZ-36020 **\$150**  
For chairs 14" W and under.
- Adult Footplate - Flip Up, (K0040) Angle Adjustable with Heel Loops** AGZ-36021 **\$150**  
For chairs 15" W and over.
- Heel Loop (E0951)** AGZ-36022 **\$ 50**
- Footboard - Removable, Angle Adj.** AGZ-36029 **\$150**
- Hanger Extensions - .5—4.5" Long** AGZ-36402 **\$ 55**
- Hanger Extensions - 1.5—6.5" Long** AGZ-36403 **\$ 65**  
1.5" - 6.5" long only available with 75 degree hangers.

Configuration	Knee to Heel Range (from seat rail)
Hanger with High Mount Clamps	4" or Less
Hanger Only	4" - 10"
Hanger with .5" - 4.5" Extension	to 14.5"
Hanger with 1.5" - 6.5" Extension	to 16.5"

- High Mount Clamp (K0037)** AGZ-36407 **\$100**  
Not available with transport option.
- Knee to Heel Measurement** \_\_\_\_\_ **Inches**

**Casters**

- Omit Caster Wheels** AGZ-34333 n/c
- 3" Poly Casters** AGZ-34888 **\$ 55**
- 3" Light Up Casters** AGZ-34111 **\$ 55**  
3" casters are recommended for low frame configuration.
- 4" Poly Casters** AGZ-40000 **\$ 65**
- 4" Light Up Casters** AGZ-41000 **\$ 99**
- 5" Poly Casters** AGZ-34555 n/c
- 5" x 1 1/2" Poly Casters** AGZ-34222 **\$ 85**
- 6" Poly Casters** AGZ-34666 n/c
- 6" x 1 1/2" Poly Casters** AGZ-34999 **\$ 85**
- 6" x 2" Poly Casters with Tread** AGZ-34444 **\$200**
- 6" Pneumatic Casters** AGZ-34667 **\$ 75**
- 7" Poly Casters** CGX-34777 **\$ 75**
- 7" x 1.5" Poly Casters** CGX-34000 **\$116**
- 7" x 2" Poly Casters** CGX-34200 **\$116**
- Frog Legs (E1015)** CGX-35000 **\$325**  
Not available with 6" x 2", 7", 7" x 1.5" & 7" x 2" casters.
- Caster Stem Bolt—.75" Longer** AGZ-34778 n/c
- Caster Stem Bolt—1.5" Longer** AGZ-34779 n/c

Date: \_\_\_\_\_ PO#: \_\_\_\_\_

Marked For: \_\_\_\_\_

Description	Part No.	Retail	Description	Part No.	Retail
-------------	----------	--------	-------------	----------	--------

**Anti-Tip Tubes**

- Anti-Tip Tubes—Fixed** (E0971) AGZ-31600 **\$ 95**
- Anti-Tip Tubes—Swing Away** (E0971) AGZ-31602 **\$ 95**  
Can not be used with reverse configuration.

**Wheels & Wheel Accessories**

Patented double lock axle receiver included at no charge.

- Omit Wheels & Axles**  AGZ-31524 **(\$55)**

**Mag Wheels**

- 12" Mag** AGZ-12 **n/c**  
Handrims are not available with 12" wheels.
- 16" Mag** AGZ-16 **\$ 40**  
3" casters are recommended for low frame configuration.
- 18" Mag** AGZ-18 **n/c**  
3" casters are recommended for low frame configuration.
- 20" Mag** AGZ-20 **n/c**
- 22" Mag** AGZ-22 **n/c**
- 24" Mag** AGZ-24 **n/c**

Aluminum handrims are included on 20", 22" and 24" mag wheels.

To omit handrims, please check below.



**Spoke Wheels**

- 20" Pneumatic Spoke** AGZ-31540 **\$200**
- 22" Pneumatic Spoke** AGZ-31541 **\$200**
- 24" Pneumatic Spoke** AGZ-31542 **\$200**

Aluminum handrims are included on 20", 22" and 24" spoke wheels.

To omit handrims, please check below.

Plastic coated handrims are not available with spoke wheels.

Spoke wheels are not available with hub locks.

**Tires**

- Pneumatic** AGZ-25 **n/c**
  - Airless Inserts** (E2213) AGZ-31000 **\$125**  
For pneumatic tires only.
- Polyurethane** AGZ-26 **\$ 50**  
Available in 12" only.  
Not available with airless inserts.

**Wheel Accessories**

- Omit Handrims** AGZ-31006 **(\$25)**  
On 20", 22" and 24" mag or spoke wheels.
- Aluminum Handrims 16" & 18"** (pr.) AGZ-31007 **\$166**
- Plastic Coated Handrims** AGZ-31005 **\$117**  
Plastic coated handrims are not available with spoke wheels.

**Natural Fit Handrims**

Please contact your customer service representative for details.

**Wheel Locks**

Choose type of lock - either standard or hub locks.



Specify lever type:

- Push to Lock\*** AGZ-31501 **n/c**
- Pull to Lock\*** AGZ-31506 **n/c**
- Rear Mount Push to Lock** AGZ-31507 **n/c**
- Rear Mount Pull to Lock** AGZ-31508 **n/c**
- Wheel Lock Handle Extension** (E0961) AGZ-31801 **\$ 60**

\*If both wheel locks and hub locks are ordered an "off chair" charge will be applied.

OR

**Hub Locks**

(Not available with spoke wheels.)

Specify lever location on frame:

Determines cable length and location of engagement lever for client access.

- Front Frame** AGZ-31509 **\$ 60**
- Middle Frame** AGZ-31510 **\$ 60**
- Rear Frame** AGZ-31511 **\$ 60**
- Back Canes** AGZ-31512 **n/c**

**Armrests**

- Omit Flip Back Armrests** AGZ-38209 **(\$20)**

**Back Cane Mount**

- Flip Back Armrests—13" Long** AGZ-38204 **n/c**
- Flip Back Armrests—16" Long** AGZ-38202 **n/c**
- Locking Flip Back Armrests—13" Long** (E0973) AGZ-38201 **\$235**
- Locking Flip Back Armrests—16" Long** (E0973) AGZ-38200 **\$235**

**Frame Mount**

- Height Adjustable Padded Armrests** (E0973) AGZ-38203 **\$235**



Flip Back Armrest



Locking Flip Back Armrest



Height Adjustable Padded Armrest

- Desk Length Flat Armrest Pad** AGZ-38213 **n/c**
- Full Length Flat Armrest Pad** AGZ-38214 **n/c**  
Only available on 16" armrests.
- Seat Rail to Top of Armrest** \_\_\_\_\_ **Inches**

Date: \_\_\_\_\_ PO#: \_\_\_\_\_

Marked For: \_\_\_\_\_

Description	Part No.	Retail	Description	Part No.	Retail
-------------	----------	--------	-------------	----------	--------

Seating Options		
<input type="radio"/> <b>Rigid Seat Base</b> Only available on rigid frames.	AGZ-39006	<b>\$100</b>
<input type="radio"/> <b>Removable Seat Base</b>	AGZ-39012	<b>\$106</b>
<input type="radio"/> <b>Seat Rail to Floor Height</b> _____	<b>Inches</b>	

Wheel & Caster Matrix				
Front of Seat Rail to Floor	Rear of Seat Rail to Floor	Caster Size	Wheel Size	Fork Size
15"	15"	3"	12"	Short
15"	14.5"	3"	16"	Short
15.75"	14.75"	3"	18"	Short
17"	16.5"	3"	20"	Long
17.25"	17.25"	3"	22"	Long
17.5"	17"	5"	16"	Long
17.5"	17"	5"	20"	Long
17.75"	17.5"	5"	12"	Long
18"	17.5"	5"	18"	Long
18"	17.5"	5"	22"	Long
18.5"	18.25"	5"	24"	Long
17.5"	17"	5" x 1.5"	16"	Long
17.5"	17"	5" x 1.5"	20"	Long
17.75"	17.5"	5" x 1.5"	12"	Long
18"	17.5"	5" x 1.5"	18"	Long
18"	17.5"	5" x 1.5"	22"	Long
18.5"	18.25"	5" x 1.5"	24"	Long
17.5"	17"	6"	16"	Long
17.5"	17"	6"	20"	Long
17.75"	17.5"	6"	12"	Long
18"	17.5"	6"	18"	Long
18"	17.5"	6"	22"	Long
18.5"	18.25"	6"	24"	Long

Accessories		
<input type="radio"/> <b>Medical Necessities Bag</b> (black only)	AGZ-23207	<b>\$ 67</b>
<input type="radio"/> <b>Back Pack</b> (black only)	AGZ-TFBP	<b>\$ 55</b>
<input type="radio"/> <b>Flip Down Rigidizing Bar 10 - 14" W</b>	AGZ-23210	<b>\$190</b>
<input type="radio"/> <b>Flip Down Rigidizing Bar 15 - 18" W</b> A rigidizing bar may be necessary for non-Freedom Designs seating if knob hardware is not used	AGZ-23212	<b>n/c</b>
<input type="radio"/> <b>Leverage Bar</b> Leverage bar is a no charge option with long frames that are 14" W and over. Leverage bar not available on frames 10" to 13" W.	AGZ-23211	<b>\$125</b>
<input type="radio"/> <b>Leverage Bar (with long frame only)</b> Leverage bar is a no charge option with long frames that are 14" W and over. Leverage bar not available on frames 10" to 13" W.	AGZ-23213	<b>n/c</b>

Canopy		
<input type="radio"/> <b>Canopy Fabric with Frame</b>	AGZ-38750	<b>\$150</b>
<input type="radio"/> <b>Canopy with Visor and Frame</b> Not available with transport option.	AGZ-38756	<b>\$175</b>

**\*Pelvic Positioning Belts (E0978)**

<b>Streamline - Two Point Padded</b>		
<input type="radio"/> <b>Center Pull—Metal Push Button Buckle</b>	SB-3332	<b>\$ 88</b>
<input type="radio"/> <b>Center Pull—Metal Push Button with 1" Buckle &amp; .75" Webbing</b>	SB-3332-1	<b>\$ 88</b>
<input type="radio"/> <b>Center Pull - EZ Release Push Button Buckle</b>	SB-3334	<b>\$ 88</b>
<b>Streamline—Non-Padded</b>		
<input type="radio"/> <b>Center Pull—Metal Push Button Buckle</b>	SB-3410	<b>\$ 29</b>
<b>Hipster - Two Point Padded</b>		
<input type="radio"/> <b>Center Pull—Metal Push Button Buckle</b>	HIP-3002	<b>\$109</b>
<input type="radio"/> <b>Center Pull - EZ Release Push Button Buckle</b>	HIP-3004	<b>\$109</b>
<b>Hipster - Non-Padded</b>		
<input type="radio"/> <b>Center Pull—Metal Push Button Buckle</b>	HIP-3021	<b>\$ 50</b>
<input type="radio"/> <b>Center Pull—Metal Push Button with 1" Buckle &amp; .75" Webbing</b>	HIP-3021-1	<b>\$ 50</b>

**Maximum Rider Weight—200 lbs.**  
Frame weight is approximately 20 lbs.

**Notes:**

\* Many other belts are available—those shown above included some of our most popular. Ask your customer service representative about additional styles.