



Freedom Designs, Inc.

Freedom SP3

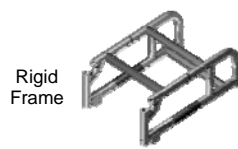
2241 N. Madera Rd. Simi Valley, CA 93065 Phone: (800) 331-8551 Fax (888) 582-1509 www.freedomdesigns.com

Bill to:
 Date: _____ PO#: _____
 Company: _____
 Buyer: _____
 Marked For: _____

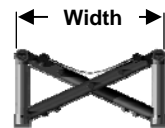
Ship to:
 Company: _____
 Address: _____
 City: _____ State: _____ Zip _____
 Phone: _____

Description	Part No.	Retail	Description	Part No.	Retail
-------------	----------	--------	-------------	----------	--------

Frame Type		
<input type="radio"/> SP3—Folding (E1238) or (K0005) HCPCS codes for frames 10"W—18"W	SP3-30270	\$2158
<input type="radio"/> SP3—Non-Folding (Rigid) (E1237) or (K0005) HCPCS codes for frames 10"W—18"W	SP3-30270R	\$2158



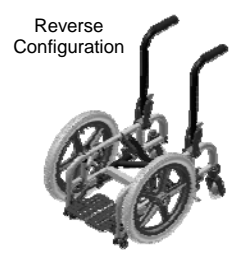
Frame Width			
<u>Specify Frame Width:</u>			
<input type="radio"/> 10" Wide	SP3-30250		n/c
<input type="radio"/> 11" Wide	SP3-30210		n/c
<input type="radio"/> 12" Wide	SP3-30220		n/c
<input type="radio"/> 13" Wide	SP3-30230		n/c
<input type="radio"/> 14" Wide	SP3-30240		n/c
<input type="radio"/> 15" Wide	SP3-30290		n/c
<input type="radio"/> 16" Wide	SP3-30260		n/c
<input type="radio"/> 17" Wide	SP3-30330		\$ 75
<input type="radio"/> 18" Wide	SP3-30280		\$ 75



Transport Option		
<input type="radio"/> Transport Package Available with FDI WC19 approved seating or on frame only.	SP3-99998	\$150
<input type="radio"/> No Transport Package	SP3-99999-1	n/c

Frame Length			
--------------	--	--	--

Configuration Set-Up		
<input type="radio"/> Standard—Rear Wheel Drive	SP3-STD	n/c
<input type="radio"/> Reverse Configuration—Front Wheel Drive	SP3-REV	n/c



<u>Specify Frame Length:</u>			
<input type="radio"/> X-Small (11" - 14")	SP3-30507		n/c
Set-up Depth:			
<input type="radio"/> 11" Deep	SP3-11		n/c
<input type="radio"/> 12" Deep	SP3-12		n/c
<input type="radio"/> 13" Deep	SP3-13		n/c
<input type="radio"/> 14" Deep	SP3-14		n/c
<input type="radio"/> Small (14" - 17")	SP3-30509		n/c
Set-up Depth:			
<input type="radio"/> 14" Deep	SP3-14		n/c
<input type="radio"/> 15" Deep	SP3-15		n/c
<input type="radio"/> 16" Deep	SP3-16		n/c
<input type="radio"/> 17" Deep	SP3-17		n/c
<input type="radio"/> Medium (16" - 19")	SP3-30508		n/c
Set-up Depth:			
<input type="radio"/> 16" Deep	SP3-16		n/c
<input type="radio"/> 17" Deep	SP3-17		n/c
<input type="radio"/> 18" Deep	SP3-18		n/c
<input type="radio"/> 19" Deep	SP3-19		n/c
<input type="radio"/> Long (18" - 21")	SP3-30510		\$ 75
Set-up Depth:			
<input type="radio"/> 18" Deep	SP3-18		n/c
<input type="radio"/> 19" Deep	SP3-19		n/c
<input type="radio"/> 20" Deep	SP3-20		n/c
<input type="radio"/> 21" Deep	SP3-21		n/c

Frame Colors—Powder Coated	
<input type="radio"/> Black	<input type="radio"/> Pacific Blue
<input type="radio"/> Blizzard Blue	<input type="radio"/> Passion Purple
<input type="radio"/> Blue Blast	<input type="radio"/> Pink Parfait
<input type="radio"/> Blue Stardust	<input type="radio"/> Really Red
<input type="radio"/> Cosmic Purple	<input type="radio"/> Red Sunset
<input type="radio"/> Extreme Green	<input type="radio"/> Sparkle Green
<input type="radio"/> Mystic Teal	<input type="radio"/> Twilight
<input type="radio"/> Octane Orange	<input type="radio"/> Yellow

Date: _____ PO#: _____

Marked For _____

Description	Part No.	Retail	Description	Part No.	Retail
-------------	----------	--------	-------------	----------	--------

**Back Canes / Push Handles
Hand Grip Bend Options**

- Traditional Bend Push Handles** SP3-30518 n/c
- Ergo Bend Push Handles** SP3-30519 n/c



Traditional Push Handle



Ergo Push Handle

Specify height from rear seat rail to top of bend on cane:

- Short (19" High)** SP3-30515 n/c
- Medium (23" High)** SP3-30514 n/c
- Tall (26" High)** SP3-30516 n/c
- Push Handle Extension-Quick Release** SP3-30517 **\$100**
- One Piece Push Handle Extension - Quick Release** SP3-30526 **\$125**
- One Piece Push Button Angle Adjustable Stroller Handle** SP3-30527 **\$175**

Available on chairs 14"W and up.
Note: Chair will not fold with this stroller handle.

Back canes can achieve an additional height of 6.5" when quick release push handle extensions are ordered.

Swing Away Hangers

- Omit Hangers & Footplates** SP3-33000 **(\$30)**
- Spring Loaded Pop Up** SP3-30272 n/c
- Latch Style Swing Away** SP3-30278 n/c
Not available in reverse configuration.

Specify:

- 90 Degree Hangers*** SP3-33334 n/c
- 75 Degree Hangers*** SP3-33335 n/c

*See Configuration Chart



90° Pop-up Style Hanger



75° Latch Style Hanger

- Elevating Legrest (E0990)** SP3-30279 **\$235**
Not available with latch style.

Footrest Options



Angle Adjustable Flip Up Footplate



Removable Footboard

- Omit Footplates Only** SP3-36404 **(\$15)**
- Composite Footplate - Flip Up** SP3-17070 n/c
- Kids Footplate (K0040) Flip Up Footplate—Adjustable Angle** SP3-36020 **\$150**
For chairs 14" wide and under
- Adult Footplate 15"W & Over (K0040) Flip Up Footplate—Adjustable Angle w/ Heel Loop** SP3-36021 **\$150**
For chairs 15" wide and over.

Footrest Options (Continued)

- Omit Heel Loop** SP3-36023 n/c
- Heel Loop (E0951)** SP3-36022 **\$ 50**
- Footboard - Removable, Angle Adj.** SP3-36029 **\$150**
- Hanger Extensions - .5—4.5" Long** SP3-36402 **\$ 55**
- Hanger Extensions - 1.5—6.5" Long** SP3-36403 **\$ 65**
1.5" - 6.5" long only available with 75 degree hangers.

Configuration	Knee to Heel Range (from seat rail)
Hanger with High Mount Clamps	4" - 9"
Hanger Only	6" - 9"
Hanger with .5" - 4.5" Extension	to 13.5"
Hanger with 1.5" - 6.5" Extension	to 15.5"

- High Mount Clamp (K0037)** SP3-36407 **\$100**
Not available on 75 degree hangers.

- Knee to Heel Measurement** _____ Inches

Casters

- Omit Caster Wheels** SP3-34333 n/c
- 3" Poly Casters** SP3-34888 **\$ 55**
- 3" Light Up Casters** SP3-34111 **\$ 55**
3" casters in combination with 20" wheels are not available.
3" casters recommended for low frame configurations.
- 4" Poly Casters** SP3-40000 **\$ 65**
- 4" Light Up Casters** SP3-41000 **\$ 99**
- 5" Poly Casters** SP3-34555 n/c
- 5" x 1.5" Poly Casters** SP3-34222 **\$ 85**
- 6" Poly Casters** SP3-34666 n/c
- 6" x 1.5" Poly Casters** SP3-34999 **\$ 85**
- 6" x 2" Poly Casters with Tread** SP3-34444 **\$ 90**
- 6" Pneumatic Casters** SP3-34667 **\$ 75**
- 7" Poly Casters** SP3-34777 **\$ 75**
- 7" x 1.5" Poly Casters** SP3-34000 **\$116**
- 7" x 2" Poly Casters** SP3-34200 **\$116**
- Frog Legs (E1015)** SP3-35000 **\$325**
Not available with 6" x 2", 7", 7" x 1.5", & 7" x 2" casters.
- Caster Stem Bolt—.75" Longer** SP3-34778 n/c
- Caster Stem Bolt—1.5" Longer** SP3-34779 n/c

Date: _____ PO#: _____

Marked For _____

Description	Part No.	Retail	Description	Part No.	Retail
-------------	----------	--------	-------------	----------	--------

Anti-Tip Tubes

- Anti-Tip Tubes—Fixed** (E0971) SP3-31600 **\$ 95**
- Anti-Tip Tubes—Swing Away** (E0971) SP3-31602 **\$ 95**
Can not be used with reverse configuration.

Wheels & Wheel Accessories

Patented double lock axle receiver included at no charge.

- Omit Wheels & Axles** SP3-31524 **(\$55)**

Mag Wheel



Spoke Wheel



Mag Wheels

- 12" Pneumatic Mag** SP3-31525 **n/c**
- 12" Polyurethane Mag** SP3-31526 **\$ 35**
- 12" Semi Pneumatic Mag** SP3-31523 **\$165**
Handrims are not available with 12" wheels.

- 16" Pneumatic Mag** SP3-31530 **\$ 40**
- 18" Pneumatic Mag** SP3-31533 **\$ 40**

- 20" Pneumatic Mag** SP3-31527 **n/c**
- 22" Pneumatic Mag** SP3-31528 **n/c**
- 24" Pneumatic Mag** SP3-31529 **n/c**

Aluminum handrims are included on 20", 22" and 24" wheels.

To omit handrims, please check below.

24" wheels are not available with small frame lengths.

Spoke Wheels

- 20" Pneumatic Spoke** SP3-31540 **\$200**
- 22" Pneumatic Spoke** SP3-31541 **\$200**
- 24" Pneumatic Spoke** SP3-31542 **\$200**

Aluminum handrims are included on 20", 22" and 24" wheels.

To omit handrims, please check below.

24" wheels are not available with small frame lengths.

Plastic coated handrims are not available with spoke wheels.

Spoke wheels are not available with hub locks.

Wheel Accessories

- Omit Handrims** SP3-31006 **(\$20)**
On 20", 22" and 24" mag or spoke wheels.

- Aluminum Handrims 16" & 18" (pr.)** SP3-31007 **\$166**

- Plastic Coated Handrims (pr.)** SP3-31005 **\$117**
Plastic coated handrims are not available with spoke wheels.

Natural Fit Handrims

Please contact your customer service representative for details.

- Airless Inserts (pr.)** (E2213) SP3-31000 **\$ 75**
For pneumatic tires only.

Wheel Locks

Choose type of lock - either standard or hub locks.

Specify lever type:

- Push to Lock *** SP3-31501 **n/c**
- Pull to Lock *** SP3-31506 **n/c**
- Rear Mount Push to Lock** SP3-31507 **n/c**
- Rear Mount Pull to Lock** SP3-31508 **n/c**
- Wheel Lock Handle Ext.** (E0961) SP3-31801 **\$60**



* If both wheel locks and hub locks are ordered, an "off chair" charge will be applied.

OR

Hub Locks

(Not available with spoke wheels)

Specify lever location on frame:

Determines cable length and location of engagement lever for client access.

- Front Frame** SP3-31509 **n/c**
- Middle Frame** SP3-31510 **n/c**
- Rear Frame** SP3-31511 **n/c**
- Back Canes** SP3-31512 **n/c**

Armrests

- Omit Flip Back Armrests** SP3-38209 **(\$20)**

Back Cane Mount

- Flip Back Armrests—13" Long** SP3-38204 **n/c**
- Flip Back Armrests—16" Long** SP3-38202 **n/c**
- Locking Flip Back Armrests—13" Long** (E0973) SP3-38201 **\$235**
- Locking Flip Back Armrests—16" Long** (E0973) SP3-38200 **\$235**
- Flip Back Armrests—Telescoping** SP3-38208 **\$100**
- Locking Flip Back Armrests—Telescoping** SP3-38207 **\$260**

Frame Mount

- Height Adjustable Padded Armrests** (E0973) SP3-38203 **\$235**



Flip Back Armrest



Height Adjustable Padded Armrest



Locking Flip Back Armrest

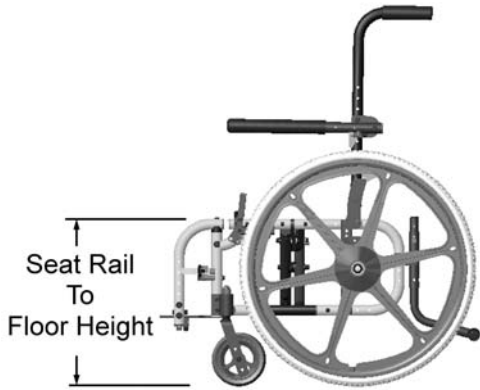
- Desk Length Flat Armrest Pad** SP3-38213 **n/c**
- Full Length Flat Armrest Pad** SP3-38214 **n/c**
Only available on 16" armrests.
- Seat Rail to Top of Armrest** _____ **Inches**

Date: _____ PO#: _____

Marked For _____

Description	Part No.	Retail	Description	Part No.	Retail
-------------	----------	--------	-------------	----------	--------

Seating Options



- Rigid Seat Base** SP3-39006 **\$100**
- Removable Seat Base** SP3-39012 **\$150**
- Seat Rail to Floor Height** _____ **Inches**

Accessories

- Medical Necessities Bag** (black only) SP3-23207 **\$ 67**
- Back Pack** (black only) SP3-TFBP **\$ 55**

Canopy

- Canopy Fabric with Frame*** SP3-38750 **\$150**
- Canopy with Visor and Frame*** SP3-38756 **\$175**

*Canopies w/transport option must be removed during transport.

***Positioning Belts (E0978)**

- Streamline - Two Point Padded**
- Center Pull - Metal Push Button Buckle** SB-3332 **\$ 88**
 - Center Pull - Metal Push Button with 1" Buckle & .75" Webbing** SB-3332-1 **\$ 88**
 - Center Pull - EZ Release Push Button Buckle** SB-3334 **\$ 88**
- Streamline - Non - Padded**
- Center Pull - Metal Push Button Buckle** SB-3410 **\$ 29**
- Hipster - Two Point Padded**
- Center Pull - Metal Push Button Buckle** HIP-3002 **\$109**
 - Center Pull - EZ Release Push Button Buckle** HIP-3004 **\$109**
- Hipster - Non-Padded**
- Center Pull - Metal Push Button** HIP-3021 **\$50**
 - Center Pull - Metal Push Button with 1" Buckle & .75" Webbing** HIP-3021-1 **\$50**

*Many other belts are available—those shown above include some of our most popular. Ask your customer service representative about additional styles.

Wheel & Caster Matrix

Floor to Front of Seat Rail	Caster Size	Wheel Size	Arc Over Rail
11.5"	3"	16"	4.5"
12"	3"	16"	4"
12.5"	3"	16"	3.5"
12.5"	3"	18"	5.5"
13"	3"	16"	3"
13"	3"	18"	5"
13.5"	3"	18"	4.5"
14"	3"	18"	4"
14.5"	3"	20"	5.5"
15"	3"	20"	5"
14"	5"	20"	6 "
14.5"	5"	18"	3.5"
14"	5"	20"	6"
14.5"	5"	18"	3.5"
14.5"	5"	20"	5.5"
15"	5"	20"	5"
15"	5"	22"	7"
15.5"	5"	20"	4.5"
15.5"	5"	22"	4.5"
16"	5"	20"	4"
16"	5"	22"	6"
15.5"	6"	20"	4.5"
15.5"	6"	22"	6.5"
16"	6"	20"	4"
16"	6"	22"	6"
16"	6"	24"	8"
16.5"	6"	22"	5.5"
16.5"	6"	24"	7.5"
17	6	22	5
17"	6"	24"	7"
16.5"	7"	22"	5.5"
16.5"	7"	24"	7.5"
17"	7"	22"	5"
17"	7"	24"	7"

Maximum Rider Weight—250 lbs.
Frame weight is approximately 23 lbs.