



Seating & Positioning Order Form - Version 2



P. O.# _____ Company _____

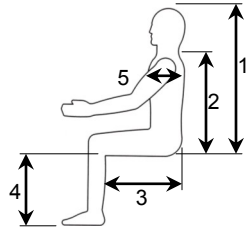
Our kids are our passion.™

*Thickness Dimensions Include Foam Only !!

Supine

Left Right

1	_____
2	_____
3	_____
4	_____
5	_____

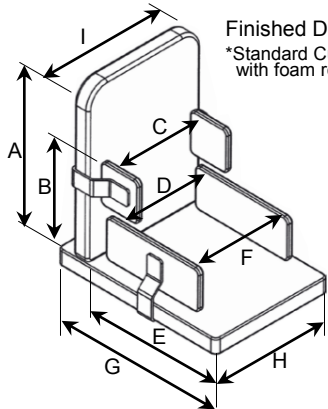
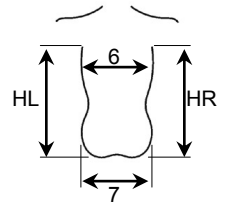


Sitting

2	_____
3	_____
Age	_____ Weight _____
Head Circ.	_____
Foot Size:	L _____ x _____ W _____

Supine

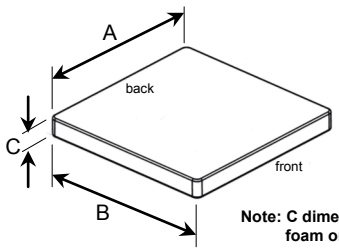
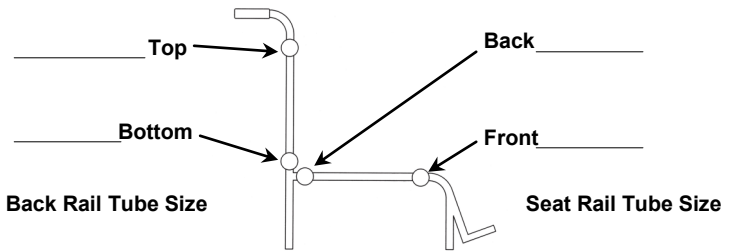
6	_____
7	_____
HL	_____
HR	_____



Finished Dimensions
*Standard Cut is wood with foam rolled over.

A	_____
B	_____
C	_____
D	_____
E	_____
F	_____
G	_____
H	_____
I	_____

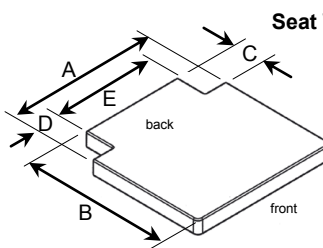
Chair Make	_____	Chair Depth	_____
Chair Width	_____	Chair Back Height	_____
Upholstery Color	_____		
Contact	_____	Non Contact	_____



Solid Seat

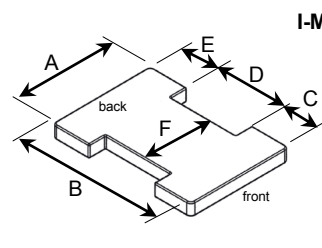
A	_____
B	_____
C	_____

Note: C dimension includes foam only



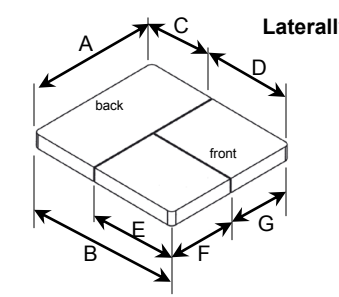
Seat With Notches

A	_____
B	_____
C	_____
D	_____
E	_____



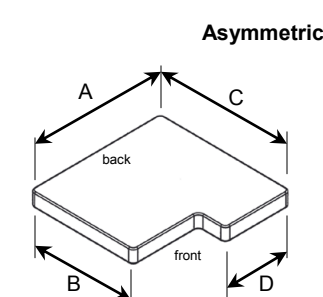
I-Mod On Seat

A	_____
B	_____
C	_____
D	_____
E	_____
F	_____



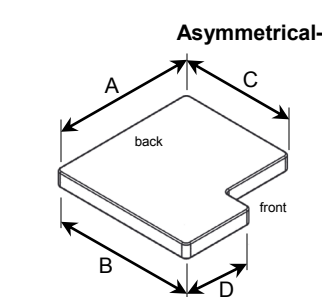
Laterally Split Seat

A	_____
B	_____
C	_____
D	_____
E	_____
F	_____
G	_____



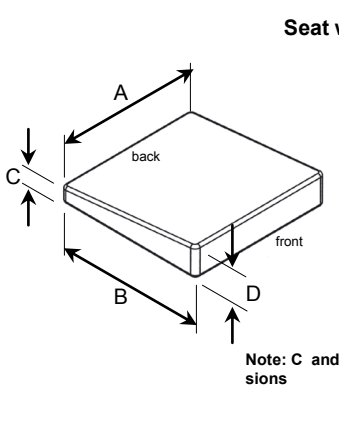
Asymmetrical—Long Left

A	_____
B	_____
C	_____
D	_____



Asymmetrical—Long Right

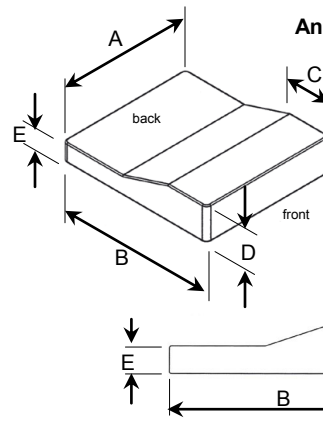
A	_____
B	_____
C	_____
D	_____



Seat with Wedge

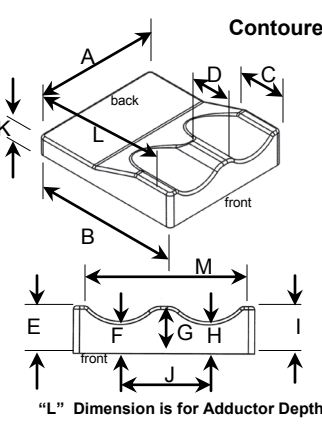
A	_____
B	_____
C	_____
D	_____

Note: C and D dimensions



Anti-Thrust Seat

A	_____
B	_____
C	_____
D	_____
E	_____



Contoured

A	_____
B	_____
C	_____
D	_____
E	_____
F	_____
G	_____
H	_____
I	_____
J	_____
K	_____
L	_____
M	_____

"L" Dimension is for Adductor Depth





Our kids are our passion.™

Seating & Positioning Order Form - Version 2

P. O.# _____ Company _____

Monogram _____ Thread Color _____ Script _____ Print _____

<p>Std. Back</p> <p>A _____ B _____ C _____ D _____</p> <p>C & D Dimensions are for Scapular Cutouts D = Depth of Cutout</p>	<p>T-Mod Back</p> <p>B _____ C _____ D _____ E _____</p>	<p>I-Mod Back</p> <p>A _____ B _____ C _____ D _____ E _____</p>	<p>Curved Back</p> <p>A _____ B _____</p>
<p>Back with Adjustable Lumbar</p> <p>A _____ B _____ C _____ D _____</p>	<p>Biangular Back</p> <p>A _____ B _____ C _____ D _____</p>	<p>Medial Thigh Support</p> <p>A _____ B _____ C _____ D _____</p>	<p>Lateral Thigh Guides</p> <p>A _____ B _____ C _____ D _____</p>
<p>Lateral Thoracic Support</p> <p>A _____ B _____</p> <p>Standard _____ Thin _____ Curved _____ Flat _____</p>	<p>3 Piece Headrest Pads</p> <p>A _____ B _____ C _____ D _____ E _____ F _____</p>	<p>Armrest—Thigh Support Combo</p> <p>A _____ B _____ C _____ D _____</p>	
<p>Tray / Lapboards</p> <p>A _____ B _____ C _____ D _____</p>	<p>Headrest Extension</p> <p>A _____ B _____</p> <p>Arm Trough</p> <p>A _____ B _____ C _____ D _____</p>	<p>Single Leg Cradles Double Leg Box</p> <p>W _____ H _____ D _____</p> <p>Single _____ Double _____</p>	

