



# Freedom SP3™

Designed to grow with you!



- Lightweight Manual Folding or Rigid Wheelchair
- Hub Lock or Conventional Wheel Lock
- Hub Lock Lever Mounted Anywhere on Frame
- Pop-Up or Swing Away Footrest Hangers

More than mobility products,  
we make a difference  
one client at a time.



#### **Safety**

WC-19 crash tested.

#### **Seating**

Accommodates custom solid seating systems.

#### **Drives**

Standard or reverse wheel configuration.

#### **Frames**

Choice of rigid or folding frame.

#### **Versatility**

Built-in growth capabilities



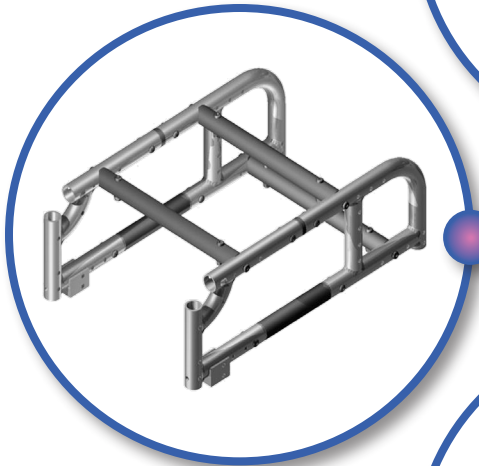
# Freedom SP3™



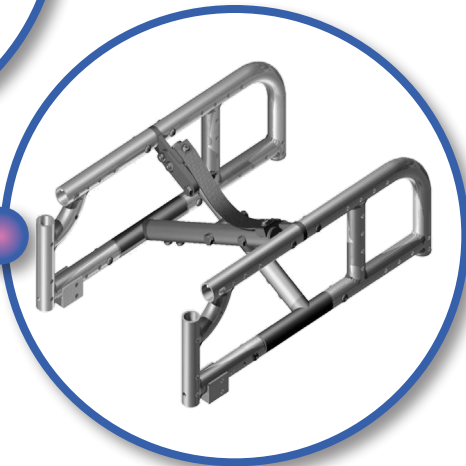
**Reverse Wheel Configuration**



**Standard Wheel Configuration**



**Rigid Frame For Solid Seating**



**Folding Frame For Solid Seating**

## Specifications

**Frame Style**  
Rigid or Folding frame

**Caster Sizes**  
3", 4", 5", 6", 7"

**Frame Widths**  
10" - 18"

**Wheel Sizes**  
12", 16", 18", 20",  
22", 24"

**Frame Depths**  
X-Small 11" - 14"  
Small 14" - 17"  
Medium 16" - 19"  
Long 18" - 21"

**Hanger Options**  
Pop up  
removable:  
75° and 90°

**Seat Depths**  
11" - 21"

Latch Style Swing  
Away 75° and 90°

**Back Height**  
Short: 19"  
Medium: 23"  
Tall: 26"

**Transport Option**  
Available with FDI  
WC19 approved  
seating

**Rider Weight Limit**  
250 lbs

**Configurations**  
Standard or  
Reverse

**Frame Weight**  
16.5 lbs

2241 N. Madera Rd. Simi Valley, CA 93065  
Phone: 800-331-8551 • Fax: 888-582-1509  
Email: [CustomerService@freedomdesigns.com](mailto:CustomerService@freedomdesigns.com)