



Freedom Designs, Inc.

Gizmo Tilt



Transport Package Optional

2241 N. Madera Rd. Simi Valley, CA 93065 Phone: (800) 331-8551 Fax (888) 582-1509 www.freedomdesigns.com

Bill to:	Date: _____ PO#: _____	Ship to:	Company: _____
	Company: _____		Address: _____
	Buyer: _____		City: _____ State: _____ Zip: _____
	Marked For: _____		Phone: _____

Description	Part No.	Retail	Description	Part No.	Retail
-------------	----------	--------	-------------	----------	--------

Frame Type

- Folding**  **GZ-30270 \$2873**
 - Pediatric — 14W & under (E1234)
 - Adult — 15W & over (E1161)
- Rigid**  **GZ-30276 \$2673**
 - Pediatric — 14W & under (E1233)
 - Adult — 15W & over (E1161)

Transport Option

- Transport Package** **GZ-99998 \$150**
Available with FDI WC-19 approved seating or on frame only.

Configuration Set-Up

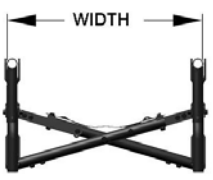
- Standard—Rear Wheel Drive** **GZ-STD n/c**
- Reverse Configuration—Front Wheel Drive** **GZ-REV n/c**
- Tilt Cables Crossed** **GZ-TCC n/c**

Frame Colors - Powder Coated

- | | |
|-------------------------------------|--------------------------------------|
| <input type="radio"/> Black | <input type="radio"/> Pacific Blue |
| <input type="radio"/> Blizzard Blue | <input type="radio"/> Passion Purple |
| <input type="radio"/> Blue Blast | <input type="radio"/> Pink Parfait |
| <input type="radio"/> Blue Stardust | <input type="radio"/> Really Red |
| <input type="radio"/> Cosmic Purple | <input type="radio"/> Red Sunset |
| <input type="radio"/> Extreme Green | <input type="radio"/> Sparkle Green |
| <input type="radio"/> Mystic Teal | <input type="radio"/> Twilight |
| <input type="radio"/> Octane Orange | <input type="radio"/> Yellow |

Frame Dimensions

Frame Width

- Specify Width:
- | | |
|---------------------------------------|---------------------|
| <input type="radio"/> 10" Wide | GZ-30250 n/c |
| <input type="radio"/> 11" Wide | GZ-30210 n/c |
| <input type="radio"/> 12" Wide | GZ-30220 n/c |
| <input type="radio"/> 13" Wide | GZ-30230 n/c |
| <input type="radio"/> 14" Wide | GZ-30240 n/c |
| <input type="radio"/> 15" Wide | GZ-30290 n/c |
| <input type="radio"/> 16" Wide | GZ-30260 n/c |
| <input type="radio"/> 17" Wide | GZ-30330 n/c |
| <input type="radio"/> 18" Wide | GZ-30280 n/c |
- 

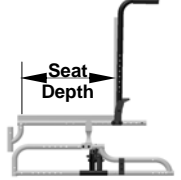
Frame Length

Frame length is based on finished depth of a Freedom Designs' solid seat and 1.5" thick back that is set between back canes.

Specify Frame Length:

- X-Small 8" - 13" Back Cane Depth** **GZ-30534 n/c**
 - Set Up Depths**
 - 8" Deep **GZ-30500 n/c**
 - 9" Deep **GZ-30501 n/c**
 - 10" Deep **GZ-30502 n/c**
 - 11" Deep **GZ-30503 n/c**
 - 12" Deep **GZ-30504 n/c**
 - 13" Deep **GZ-30505 n/c**
- Small 10" - 15" Back Cane Depth** **GZ-30509 n/c**
 - Set Up Depths**
 - 10" Deep **GZ-30502 n/c**
 - 11" Deep **GZ-30503 n/c**
 - 12" Deep **GZ-30504 n/c**
 - 13" Deep **GZ-30505 n/c**
 - 14" Deep **GZ-30506 n/c**
 - 15" Deep **GZ-30521 n/c**
- Medium 13" - 18" Back Cane Depth** **GZ-30508 n/c**
 - Set Up Depths**
 - 13" Deep **GZ-30505 n/c**
 - 14" Deep **GZ-30506 n/c**
 - 15" Deep **GZ-30521 n/c**
 - 16" Deep **GZ-30522 n/c**
 - 17" Deep **GZ-30523 n/c**
 - 18" Deep **GZ-30524 n/c**
- Long 15" - 20" Back Cane Depth** **GZ-30510 n/c**
Leverage bar is a "no charge" option with long frames that are 14"W and over.

Set Up Depths

- 15" Deep **GZ-30521 n/c**
 - 16" Deep **GZ-30522 n/c**
 - 17" Deep **GZ-30523 n/c**
 - 18" Deep **GZ-30524 n/c**
 - 19" Deep **GZ-30527 n/c**
 - 20" Deep **GZ-30528 n/c**
- 

Date: _____ PO#: _____

Marked For: _____

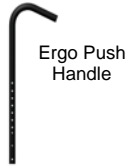
Description	Part No.	Retail	Description	Part No.	Retail
-------------	----------	--------	-------------	----------	--------

**Back Canes / Push Handles
Hand Grip Bend Options**

- Traditional Bend Push Handles** GZ-30518 n/c
- Ergo Bend Push Handles** GZ-30519 n/c



Traditional Push Handle



Ergo Push Handle

Specify height from rear seat rail to top of bend on cane:

- Short (19" High)** GZ-30515 n/c
- Medium (23" High)** GZ-30514 n/c
- Tall (26" High)** GZ-30516 n/c
- Stroller Push Handle Extension—Quick Release** GZ-30517 \$100



- One Piece Stroller Push Handle Ext, —Quick Release** GZ-30526 \$125

- One Piece Push Button Angle Adjustable Stroller Handle** GZ-30529 \$175

Available on chairs 14"W and up.
Note: Chair will not fold with this stroller handle.

Back canes can achieve an additional height of 6.5" when quick release push handle extensions are ordered.

Swing Away Hangers

- Omit Hangers & Footplate** GZ-33000 (\$30)
- Spring Loaded Pop-Up** GZ-30272 n/c
- Latch Style Swing Away** GZ-30278 n/c
Not available in reverse configuration.

Specify degree of hangers:

- 90 Degree Hangers*** GZ-33334 n/c
- 75 Degree Hangers*** GZ-33335 n/c

*See Configuration Chart



90° Pop-up Style Hanger



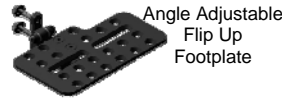
75° Latch Style Hanger

- Elevating Legrest (E0990)** GZ-30279 \$235

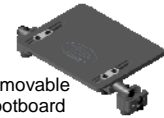
Not available with latch style.



Footrest Options



Angle Adjustable Flip Up Footplate



Removable Footboard

- Omit Footplates Only** GZ-36404 (\$15)
- Composite Footplate - Flip Up** GZ-17070 n/c
- Kids Footplate—Flip Up, Angle Adjustable (K0040)** GZ-36020 \$150
For chairs 14" wide and under.
- Adult Footplate—Flip Up, Angle Adjustable with Heel Loops (E0951)** GZ-36021 \$150
For chairs 15" wide and over.
- Omit Heel Loop** GZ-36023 n/c
- Heel Loop (E0951)** GZ-36022 \$ 50
- Footboard—Removable, Angle Adj.** GZ-36029 \$150
- Hanger Extensions - .5—4.5" Long** GZ-36402 \$ 55
- Hanger Extensions - 1.5—6.5" Long** GZ-36403 \$ 65
1.5" - 6.5" long only available with 75 degree hangers.

Configuration	Knee to Heel Range (from seat rail)
Hanger with High Mount Clamps	4" - 9"
Hanger Only	6" - 9"
Hanger with .5" - 4.5" Extension	to 13.5"
Hanger with 1.5" - 6.5" Extension	to 15.5"

- High Mount Clamp** GZ-36407 \$100
Not available on 75 degree hangers.
- Knee to Heel Measurement** _____ Inches

Casters

- Omit Caster Wheels** GZ-34333 n/c
- 3" Poly Casters** GZ-34888 \$ 55
- 3" Light Up Casters** GZ-34111 \$ 55
3" casters are recommended for low frame configuration.
- 4" Poly Casters** GZ-40000 \$ 65
- 4" Light Up Casters** GZ-41000 \$ 99
- 5" Poly Casters** GZ-34555 n/c
- 5" x 1.5" Poly Casters** GZ-34222 \$ 85
- 6" Poly Casters** GZ-34666 n/c
- 6" x 1.5" Poly Casters** GZ-34999 \$ 85
- 6" x 2" Poly Casters with Tread** GZ-34444 \$ 90
- 6" Pneumatic Casters** GZ-34667 \$ 75
- 7" Poly Casters** GZ-34777 \$ 75
- 7" x 1.5" Poly Casters** GZ-34000 \$116
- 7" x 2" Poly Casters** GZ-34200 \$116
- Frog Legs (E1015)** GZ-35000 \$325
Not available with 6" x 2", 7", 7" x 1.5" & 7" x 2" casters.
- Caster Stem Bolt—.75" Longer** GZ-34778 n/c
- Caster Stem Bolt—1.5" Longer** GZ-34779 n/c

Date: _____ PO#: _____

Marked For: _____

Description	Part No.	Retail	Description	Part No.	Retail
-------------	----------	--------	-------------	----------	--------

Anti-Tip Tubes (E0971)

- Anti-Tip Tubes—Fixed** GZ-31600 \$ 95
- Anti-Tip Tubes—Swing Away** GZ-31602 \$ 95
Can not be used with reverse configuration.

Wheels & Wheel Accessories

Patented double lock axle receiver included at no charge.

- Omit Wheels & Axles** GZ-31524 **(\$55)**



Mag Wheels

- 12" Pneumatic Mag** GZ-31525 n/c
- 12" Polyurethane Mag** GZ-31526 \$ 35
- 12" Semi Pneumatic Mag** GZ-31523 \$165
Handrims are not available with 12" wheels.
- 16" Pneumatic Mag** GZ-31530 \$ 40
- 18" Pneumatic Mag** GZ-31533 \$ 40
- 20" Pneumatic Mag** GZ-31527 n/c
- 22" Pneumatic Mag** GZ-31528 n/c
- 24" Pneumatic Mag** GZ-31529 n/c

Aluminum handrims are included on 20", 22" and 24" wheels.

To omit handrims, please check below.

24" wheels are not available with small frame lengths.



Spoke Wheels

- 20" Pneumatic Spoke** GZ-31540 \$200
- 22" Pneumatic Spoke** GZ-31541 \$200
- 24" Pneumatic Spoke** GZ-31542 \$200

Aluminum handrims are included on 20", 22" and 24" wheels.

To omit handrims, please check below.

Plastic coated handrims are not available with spoke wheels.

Spoke wheels are not available with hub locks.

24" wheels are not available with small frame lengths.

Wheel Accessories

- Omit Handrims** GZ-31006 **(\$25)**
On 20", 22" and 24" mag or spoke wheels.
- Aluminum Handrims 16" & 18" (pr.)** GZ-31007 \$166
- Plastic Coated Handrims (pr.)** GZ-31005 \$117
Plastic coated handrims are not available with spoke wheels.
- Natural Fit Handrims**
Please contact your customer service representative for details.
- Airless Inserts (E2213)** GZ-31000 \$ 75
For pneumatic tires only

Wheel Locks

Choose one type of wheel lock - either standard or hub locks.

Specify lever type:

- Push to Lock*** GZ-31501 n/c
- Pull to Lock*** GZ-31506 n/c
- Rear Mount Push to Lock** GZ-31507 n/c
- Rear Mount Pull to Lock** GZ-31508 n/c
- Wheel Lock Handle Ext. (E0961)** GZ-31801 \$ 60



*If both wheel locks and hub locks are ordered, an "off-chair" charge will be applied.

OR

Hub Locks

(Not available with spoke wheels)

Specify lever location on frame:

Determines cable length and location of engagement lever for client access.

- Front Frame** GZ-31509 n/c
- Middle Frame** GZ-31510 n/c
- Rear Frame** GZ-31511 n/c
- Back Canes** GZ-31512 n/c

Armrests

- Omit Flip Back Armrests** GZ-38209 **(\$20)**

Back Cane Mount

- Flip Back Armrests—13" Long** GZ-38204 n/c
- Flip Back Armrests—16" Long** GZ-38202 n/c
- Locking Flip Back Armrests—13" Long (E0973)** GZ-38201 \$235
- Locking Flip Back Armrests—16" Long (E0973)** GZ-38200 \$235
- Flip Back Armrests—Telescoping** GZ-38208 \$100
- Locking Flip Back Armrests—Telescoping** GZ-38207 \$260

Frame Mount

- Height Adjustable Padded Armrests (E0973)** GZ-38203 \$235



Flip Back Armrest



Height Adjustable Padded Armrest



Locking Flip Back Armrest

- Desk Length Flat Armrest Pad** GZ-38213 n/c
- Full Length Flat Armrest Pad** GZ-38214 n/c
Only available on 16" armrests.
- Seat Rail to Top of Armrest** _____ Inches

Date: _____ PO#: _____

Marked For: _____

Description	Part No.	Retail	Description	Part No.	Retail
-------------	----------	--------	-------------	----------	--------

Seating Options		
<input type="radio"/> Rigid Seat Base Only available on rigid frames.	GZ-39006	\$100
<input type="radio"/> Removable Seat Base	GZ-39012	\$150
<input type="radio"/> Seat Rail to Floor Height _____	Inches	

Accessories		
<input type="radio"/> Medical Necessities Bag (black only)	GZ-23207	\$ 67
<input type="radio"/> Back Pack (black only)	GZ-TFBP	\$ 55
<input type="radio"/> Flip Down Rigidizing Bar 10 - 14"W	GZ-23210	\$190
<input type="radio"/> Flip Down Rigidizing Bar 15 - 18"W A rigidizing bar may be necessary for non-Freedom Designs seating if knob hardware is not used.	GZ-23212	n/c
<input type="radio"/> Leverage Bar Leverage bar is a no charge option with long frames that are 14" W and over. Leverage bar not available on frames 10" to 13" W.	GZ-23211	\$125
<input type="radio"/> Leverage Bar (with long frame only) Leverage bar is a no charge option with long frames that are 14" W and over. Leverage bar not available on frames 10" to 13" W.	GZ-23213	n/c

Canopy		
<input type="radio"/> Canopy Fabric with Frame*	GZ-38750	\$150
<input type="radio"/> Canopy with Visor and Frame* *Canopies w/transport option must be removed during transport.	GZ-38756	\$175

*** Pelvic Positioning Belts (E0978)**

Streamline - Two Point Padded		
<input type="radio"/> Center Pull - Metal Push Button Buckle	SB-3332	\$ 88
<input type="radio"/> Center Pull - Metal Push Button with 1" Buckle & .75" Webbing	SB-3332-1	\$ 88
<input type="radio"/> Center Pull - EZ Release Push Button Buckle	SB-3334	\$ 88
Streamline - Non-Padded		
<input type="radio"/> Center Pull - Metal Push Button Buckle	SB-3410	\$ 29
Hipster - Two Point Padded		
<input type="radio"/> Center Pull - Metal Push Button Buckle	HIP-3002	\$109
<input type="radio"/> Center Pull - EZ Release Push Button Buckle	HIP-3004	\$109
Hipster - Non-Padded		
<input type="radio"/> Center Pull - Metal Push Button	HIP-3021	\$ 50
<input type="radio"/> Center Pull - Metal Push Button with 1" Buckle & .75" Webbing	HIP-3021-1	\$ 50

Wheel & Caster Matrix				
Floor to Front of Seat Rail	Floor to Rear of Seat Rail	Caster Size	Wheel Size	Fork Size
15"	15"	3"	12"	Short
15"	14.5"	3"	16"	Short
15.75"	14.75"	3"	18"	Short
17"	16.5"	3"	20"	Long
17.25"	17.25"	3"	22"	Long
17.5"	17"	5"	16"	Long
17.5"	17"	5"	20"	Long
17.5"	17"	5" x 1.5"	16"	Long
17.5"	17"	5" x 1.5"	20"	Long
17.5"	17"	6"	16"	Long
17.5"	17"	6"	20"	Long
17.75"	17.5"	5"	12"	Long
17.75"	17.5"	5 x 1.5"	12"	Long
17.75"	17.5"	6"	12"	Long
18"	17.5"	5"	18"	Long
18"	17.5"	5"	22"	Long
18"	17.5"	5" x 1.5"	18"	Long
18"	17.5"	5" x 1.5"	22"	Long
18"	17.5"	6"	18"	Long
18"	17.5"	6"	22"	Long
18.5"	18.25"	5"	24"	Long
18.5"	18.25"	5 x 1.5"	24"	Long
18.5"	18.25"	6"	24"	Long

Maximum Rider Weight—200 lbs.
Frame weight is approximately 20 lbs.

* Many other belts are available—those shown above include some of our most popular. Ask your customer service representative about additional styles.