



Adult Manual Wheelchair Transport Package Optional



2241 N. Madera Rd. Simi Valley, CA 93065 Phone: (800) 331-8551 Fax (888) 582-1509 www.freedomdesigns.com

Bill to:	Date: _____ PO#: _____	Ship to:	Company: _____
	Company: _____		Address: _____
	Buyer: _____		City: _____ State: _____ Zip: _____
	Marked For: _____		Phone: _____

Description	Part No.	Retail	Description	Part No.	Retail
-------------	----------	--------	-------------	----------	--------

Frame Type		
<input type="radio"/> CGX Rigid (E1161)	CGX-30302	\$2963

Transport Option		
<input type="radio"/> Transport Package	CGX-99998	\$150
Available with FDI WC-19 approved seating or on frame only.		

Frame Dimensions

Standard Frame Widths & Depths

Specify Width & Depth

<input type="radio"/> 12" - 16" Wide—Medium	CGX-30220	n/c
Width Set-up		
<input type="radio"/> 12" Wide	CGX-12-M	
<input type="radio"/> 13" Wide	CGX-13-M	
<input type="radio"/> 14" Wide	CGX-14-M	
<input type="radio"/> 15" Wide	CGX-15-M	
<input type="radio"/> 16" Wide	CGX-16-M	

<input type="radio"/> 12" - 16" Back Cane Depth—Medium	CGX-30549	n/c
For a Freedom Designs' solid seat with a finished depth of 16" or less.		

Depth Set-up		
<input type="radio"/> 12" Deep	CGX-30504-M	
<input type="radio"/> 13" Deep	CGX-30505-M	
<input type="radio"/> 14" Deep	CGX-30506-M	
<input type="radio"/> 15" Deep	CGX-30521-M	
<input type="radio"/> 16" Deep	CGX-30522-M	

<input type="radio"/> 14" - 18" Wide—Wide	CGX-30240	n/c
--	-----------	-----

Width Set-up		
<input type="radio"/> 14" Wide	CGX-14-W	
<input type="radio"/> 15" Wide	CGX-15-W	
<input type="radio"/> 16" Wide	CGX-16-W	
<input type="radio"/> 17" Wide	CGX-17-W	
<input type="radio"/> 18" Wide	CGX-18-W	

<input type="radio"/> 14" - 18" Back Cane Depth—Long	CGX-30547	n/c
For a Freedom Designs' solid seat with a finished depth of 18" or less.		

Depth Set-up		
<input type="radio"/> 14" Deep	CGX-30506-L	
<input type="radio"/> 15" Deep	CGX-30521-L	
<input type="radio"/> 16" Deep	CGX-30522-L	
<input type="radio"/> 17" Deep	CGX-30523-L	
<input type="radio"/> 18" Deep	CGX-30524-L	

<input type="radio"/> 2" Seat Rail Extension	CGX-30525	\$ 32
Only available for medium and long seat depths.		

Maximum Rider Weight—200 lbs.

Tilt Assist Included		
<input type="radio"/> 18" - 22" Wide—X-Wide	CGX-30533	
Width Set-up		
<input type="radio"/> 18" Wide	CGX-18-W-XL	n/c
<input type="radio"/> 19" Wide	CGX-19-W-XL	n/c
<input type="radio"/> 20" Wide* (E2201)	CGX-20-W-XL	\$400
<input type="radio"/> 21" Wide* (E2201)	CGX-21-W-XL	\$400
<input type="radio"/> 22" Wide* (E2201)	CGX-22-W-XL	\$400
*20" - 22" not available with removable stroller handles.		

<input type="radio"/> 18" - 22" Back Cane Depth—X-Long	CGX-30534	
For a Freedom Designs' solid seat with a finished depth of 22" or less.		

Depth Set-up		
<input type="radio"/> 18" Deep	CGX-30528-XL	n/c
<input type="radio"/> 19" Deep	CGX-30529-XL	n/c
<input type="radio"/> 20" Deep (E2203)	CGX-30530-XL	\$500
<input type="radio"/> 21" Deep (E2203)	CGX-30531-XL	\$500
<input type="radio"/> 22" Deep (E2204)	CGX-30532-XL	\$500

Maximum Rider Weight—300 lbs.

Frame Colors - Powder Coated

<input type="radio"/> Black	<input type="radio"/> Pacific Blue
<input type="radio"/> Blizzard Blue	<input type="radio"/> Passion Purple
<input type="radio"/> Blue Blast	<input type="radio"/> Pink Parfait
<input type="radio"/> Blue Stardust	<input type="radio"/> Really Red
<input type="radio"/> Cosmic Purple	<input type="radio"/> Red Sunset
<input type="radio"/> Extreme Green	<input type="radio"/> Sparkle Green
<input type="radio"/> Mystic Teal	<input type="radio"/> Twilight
<input type="radio"/> Octane Orange	<input type="radio"/> Yellow

Vent Tray & Battery Tray

<input type="radio"/> Vent Tray—Fixed (E1029)	11-1000	\$413
<input type="radio"/> Battery Tray—Fixed	11-5000	\$386

Note: Vent trays and battery trays are only available on 14" wide frames and up.
Not available with transport option.

Back Canes / Push Handles Hand Grip Bend Options

<input type="radio"/> Traditional Bend Push Handles	CGX-30518	n/c
<input type="radio"/> Ergo Bend Push Handles	CGX-30519	n/c



Traditional Push Handle



Ergo Push Handle

Date: _____ PO#: _____

Marked For: _____

Description	Part No.	Retail	Description	Part No.	Retail
-------------	----------	--------	-------------	----------	--------

**Back Canes / Push Handles
Hand Grip Bend Options**

Specify height from rear seat rail to top of bend on cane:

- Short - 21" High** CGX-30515 n/c
- Medium - 24" High** CGX-30514 n/c
- Tall - 27" High** CGX-30516 n/c
- Stroller Push Handle Extension - Quick Release** CGX-30517 **\$100**



- One Piece Stroller Push Handle Extension - Quick Release** CGX-30526 **\$125**
- One Piece Push Button Angle Adjustable Stroller Handle** CGX-30527 **\$175**
Available on chairs 14"W & up.

Back canes can achieve an additional height of 6.5" when Q.R. back cane push handles are ordered.

Swing Away Hangers

- Omit Hangers & Footplates** CGX-33000 **(\$30)**
- Spring Loaded Pop-Up** (pictured below) CGX-30272 n/c
- Latch Style Swing Away** CGX-30278 n/c
Not available on x-wide/long frame.

Specify:

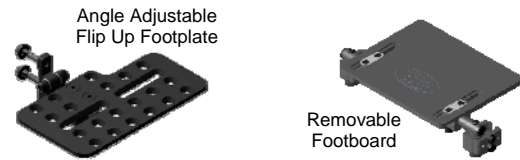
- 90 Degree Hangers*** CGX-33334 n/c
- 75 Degree Hangers*** CGX-33335 n/c
*See Configuration Chart



- Elevating Legrest (E0990)** CGX-30279 **\$235**
Not available with latch style.



Footrest Options



- Omit Footplates Only** CGX-36404 **(\$15)**
- Composite Flip Up Footplate** CGX-17070 n/c
- Footplate - Flip Up, (K0040) Angle Adjustable with Heel Loops** CGX-36021 **\$150**
- Omit Heel Loop** CGX-36023 n/c
- Heel Loop (E0951)** CGX-36022 **\$ 50**
- Footboard - Removable, Angle Adj.** CGX-36029 **\$150**
- Hanger Extensions - .5"- 4.5" Long** CGX-36402 **\$ 55**
- Hanger Extensions - 1.5"- 6.5" Long** CGX-36403 **\$ 65**
1.5"- 6.5" long only available with 75 degree hangers.

Configuration	Knee to Heel Range (from seat rail)
Hanger with High Mount Clamps	4" - 9"
Hanger Only	6" - 9"
Hanger with .5" - 4.5" Extension	to 13.5"
Hanger with 1.5" - 6.5" Extension	to 15.5"

- High Mount Clamp** CGX-36407 **\$100**
Not available on 75 degree hangers.
- Knee to Heel Measurement** _____ Inches

Casters

- Omit Caster Wheels** CGX-34333 n/c
- 3" Poly Casters** CGX-34888 **\$ 55**
- 3" Light-up Poly Casters** CGX-34111 **\$ 55**
Not available on extra wide chairs 18"W—22"W and 20"D—22"D.
- 4" Poly Casters** CGX-40000 **\$ 65**
- 4" Light-up Poly Casters** CGX-41000 **\$ 99**
Long fork will be necessary for 4" casters when chair is equipped with 12" wheels.
Not available on extra wide chairs 18"W—22"W and 18"D—22"D.
- 5" Poly Casters** CGX-34555 n/c
- 5" x 1.5" Poly Casters** CGX-34222 **\$ 85**
Not available with 16" wheels.
- 6" Poly Casters** CGX-34666 n/c
- 6" x 1.5" Poly Casters** CGX-34999 **\$ 85**
- 6" x 2" Poly Casters with Tread** CGX-34444 **\$ 90**
- 6" Pneumatic Casters** CGX-34667 **\$ 75**
- 7" Poly Casters** CGX-34777 **\$ 75**
- 7" x 1.5" Poly Casters** CGX-34000 **\$116**
- 7" x 2" Poly Casters** CGX-34200 **\$116**
- Frog Legs (E1015)** CGX-35000 **\$325**
Not available with 6" x 2", 7", 7" x 1.5" & 7" x 2" casters.

Date: _____ PO#: _____

Marked For: _____

Description	Part No.	Retail	Description	Part No.	Retail
-------------	----------	--------	-------------	----------	--------

Anti-Tip Tubes

- Anti-Tip Tubes—Flip-up Removable** (E0971) CGX-31610 **\$135**



Wheels & Wheel Accessories

Patented double lock axle receiver included at no charge.

- Omit Wheels & Axles** CGX-31524 **(\$55)**



Mag Wheels

- 12" Pneumatic Mag** CGX-31525 **n/c**
- 12" Polyurethane Mag** CGX-31526 **\$ 35**
- 12" Semi Pneumatic Mag** CGX-31523 **\$165**

Handrims are not available with 12" wheels.

- 16" Pneumatic Mag** CGX-31530 **\$ 40**
- 18" Pneumatic Mag** CGX-31533 **\$ 40**

- 20" Pneumatic Mag** CGX-31527 **n/c**
- 22" Pneumatic Mag** CGX-31528 **n/c**
- 24" Pneumatic Mag** CGX-31529 **n/c**

Aluminum handrims are standard on 20", 22" and 24" wheels.

To omit handrims, please check below.

24" wheels are not available with small frame lengths.



Spoke Wheels

- 20" Pneumatic Spoke** CGX-31540 **\$200**
- 22" Pneumatic Spoke** CGX-31541 **\$200**
- 24" Pneumatic Spoke** CGX-31542 **\$200**

Aluminum handrims are included on 20", 22" and 24" wheels.

To omit handrims, please check below.

24" wheels are not available with small frame lengths.

Plastic coated handrims are not available with spoke wheels.

Spoke wheels are not available with hub locks.

Wheel Accessories

- Omit Handrims** CGX-31006 **(\$25)**
On 20", 22" and 24" mag or spoke wheels.

- Aluminum Handrims 16" & 18" (pr.)** CGX-31007 **\$166**

- Plastic Coated Handrims (pr.)** CGX-31005 **\$117**

Plastic coated handrims are not available with spoke wheels.

Natural Fit Handrims

Please contact your customer service representative for details.

- Airless Inserts (E2213)** CGX-31000 **\$ 75**
For pneumatic tires only.

Wheel Locks

Choose one type of wheel lock - either standard or hub locks.

Specify lever type:

- Push to Lock** CGX-31501 **n/c**
- Pull to Lock** CGX-31506 **n/c**
- Wheel Lock Handle Extension (E0961)** CGX-31801 **\$60**



If both wheel locks and hub locks are ordered, an "off-chair" charge will be applied.

OR

Hub Locks

(Cable actuated)



- Back Cane Mounted** CGX-31512 **n/c**

Armrests

- Omit Flip Back Armrests** CGX-38209 **\$20)**

Back Cane Mount

- Flip Back Armrests—13" Long** CGX-38204 **n/c**
- Flip Back Armrests—16" Long** CGX-38202 **n/c**

- Locking Flip Back Armrests—13" Long (E0973)** CGX-38201 **\$235**

- Locking Flip Back Armrests—16" Long (E0973)** CGX-38200 **\$235**

- Flip Back Armrests—Telescoping** CGX-38208 **\$100**

- Locking Flip Back Armrests—Telescoping** CGX-38207 **\$260**

Frame Mount

- Height Adjustable Padded Armrests (E0973)** CGX-38203 **\$235**

2-Point Padded Armrests (E0973)

- Fixed** CGX-38205 **n/c**
- Flip Back Height Adjustable** CGX-38206 **\$245**



Flip Back Armrest



Height Adjustable Padded Armrest



Locking Flip Back Armrest

- Desk Length Flat Armrest Pad** CGX-38213 **n/c**

- Full Length Flat Armrest Pad** CGX-38214 **n/c**
Only available on 16" armrests.

- Seat Rail to Top of Armrest** _____ **Inches**

Date: _____ PO#: _____

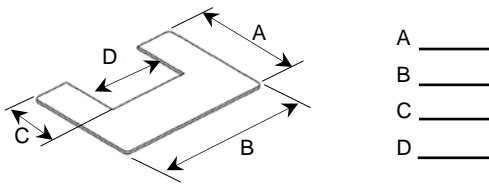
Marked For: _____

Description	Part No.	Retail	Description	Part No.	Retail
-------------	----------	--------	-------------	----------	--------

Accessories

- Medical Necessities Bag** (black only) CGX-23207 \$ 67
- Back Pack** (black only) CGX-TFBP \$ 55
- Canopy Fabric with Frame*** CGX-38750 \$150
- Canopy with Visor and Frame*** CGX-38756 \$175
- *Canopies w/transport option must be removed during transport.
- Leverage Bar** CGX-23211 \$125
Leverage bar is available on all widths.

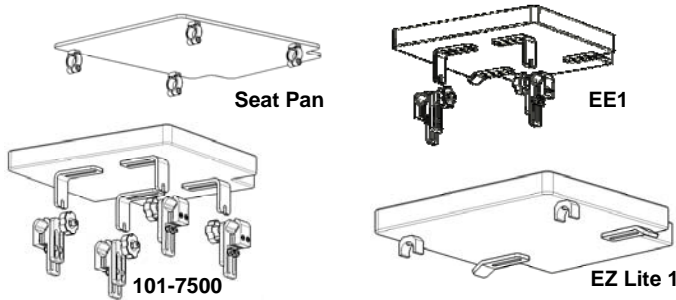
Trays / Lapboards (E0950)



- Lexan Tray—No Hardware** 08-8000 \$156
- Lexan Tray—Adj. Knob Release/Ribs** 08-6000 \$215
- EZ-Lite Lexan Tray—.25" thick** 08-12000 \$167
- EZ-Lite Lexan Tray with Ribs** 08-13000 \$179
- Lexan Tray / 1" Locking Hooks** 08-15000 \$198
- .25" Lexan Tray w/o Hardware** 08-17000 \$ 93

Solid Seat Options

- Solid Seat Pan Fixed** CGX-39010 \$100
Width _____ x Depth _____
- Solid Seat with Econo-Eze Hardware** EE1 \$548
30 degree brackets in rear.
- Solid Seat with EZ-Lite Hardware** EZ Lite 1 \$400
30 degree brackets in rear.
- Solid Seat with Econo-Eze Hardware** 101-7500 \$592
(4 point hardware)



Solid Back Options

- Easy Conforming Back—Standard** 102-12000 \$839
(4 point hardware)
- Easy Conforming Back—Standard with 2 J/L's, Glide Locks & Hinges** EZ Conf 2 \$839
(Hinge included)
- Mod-2Econo2** Mod-2Econo2 Add \$ 45
EZ Conf2 with 2 Econo-Eze clamps
- Split Wings** Mod-2QQ \$186

Head Support Options

- Rock & Roll Headrest Hardware** 7708 \$385
- Chubbie Head Support Pad** 7756 \$184
 Small Medium Large
- Low Profile Occipital Headrest Pad** 7757 \$133
 Small Medium Large



*** Pelvic Positioning Belts (E0978)**

- Streamline - Two Point Padded**
 - Center Pull - Metal Push Button Buckle** SB-3332 \$ 88
 - Center Pull - Metal Push Button with 1" Buckle & .75" Webbing** SB-3332-1 \$ 88
 - Center Pull - EZ Release Push Button Buckle** SB-3334 \$ 88
- Streamline - Non-Padded**
 - Center Pull - Metal Push Button Buckle** SB-3410 \$ 29
- Hipster - Two Point Padded**
 - Center Pull - Metal Push Button Buckle** HIP-3002 \$109
 - Center Pull - EZ Release Push Button Buckle** HIP-3004 \$109
- Hipster - Non-Padded**
 - Center Pull - Metal Push Button** HIP-3021 \$ 50
 - Center Pull - Metal Push Button with 1" Buckle & .75" Webbing** HIP-3021-1 \$ 50

*Many other belts are available—those shown above include some of our most popular. Ask your customer service representative about additional styles.

Wheel & Caster Matrix

Seat Rail to Floor (0° seat tilt) Frame Sizes	Caster Size	Caster Hole	Wheel Size	Fork Size
10"-18" / 18"-22"				
14.5" / n/a	3"	n/a	12" or 18"	Short
16" / n/a	4"	Top	18"	Long
16.5" / 19"	5"	Top	12" or 18"	Long
17" / 19.5"	5"	Bottom	12" or 18"	Long
17" / 19.5"	6"	Top	12" or 18"	Long
17.5" / 20"	6"	Bottom	12" or 18"	Long
17.5" / 20"	6"	n/a	16"	Long
18" / 20.5"	7"	n/a	16"	Long
19" / 21.5"	7"	n/a	12" or 18"	Long

Frame weight approximately 35 lbs.
14" x 14" frame (less wheels and hangers).