



ERGO-ADJUSTABLE BACK MODIFICATION

(MOD-2GG / MOD-2HH / MOD2II)



Name _____
 Company _____
 P.O. # _____
 Fabric _____

MOD-2GG*

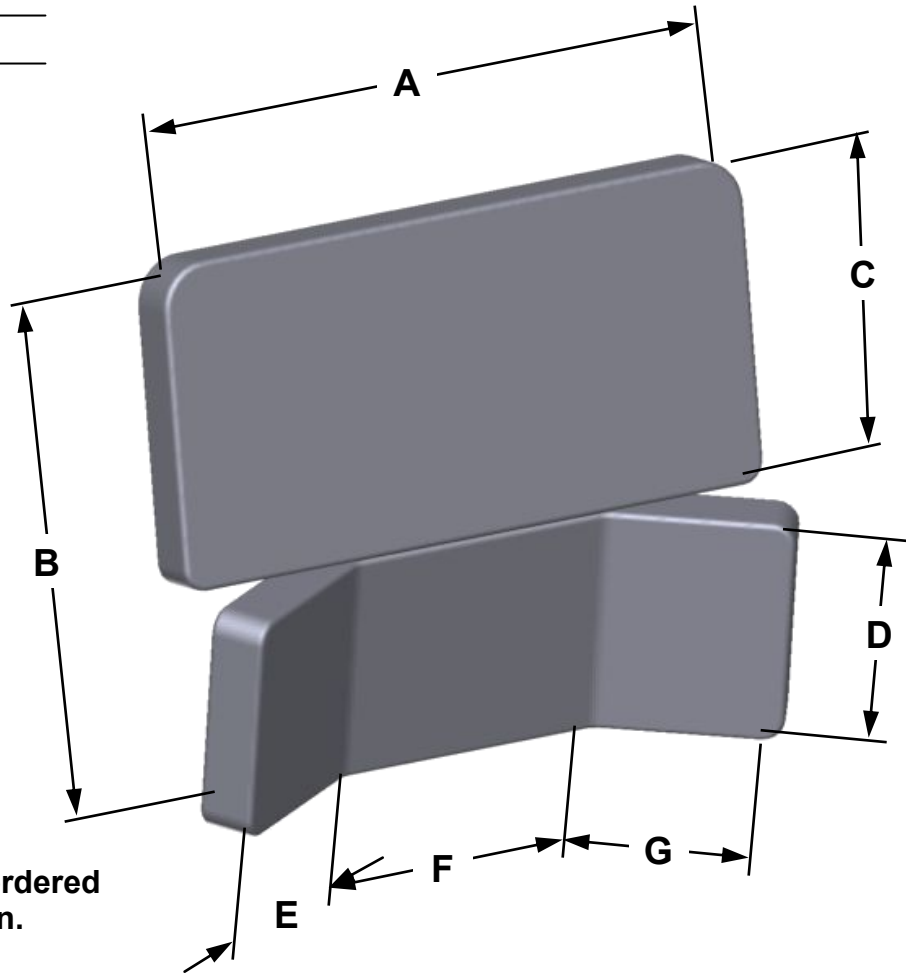
Ergo back w/ bi-angular cut
 Retail \$342 ea.

MOD-2HH*

Ergo back w/o bi-angular cut
 Retail \$245 ea.

MOD-2II*

Ergo back w/ hinges only
 Retail \$295 ea.



***Solid back must be ordered with this modification.**

A _____ **B** _____ **C** _____
D _____ **E** _____ **F** _____
G _____

03/02/11

